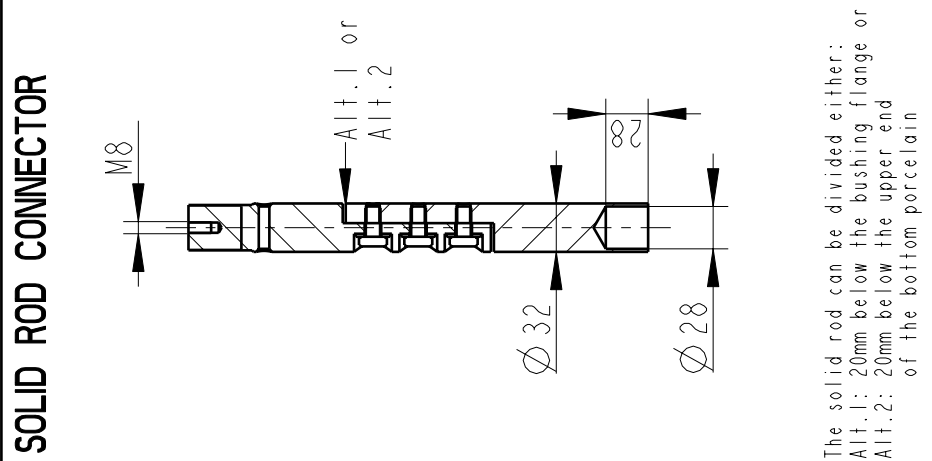
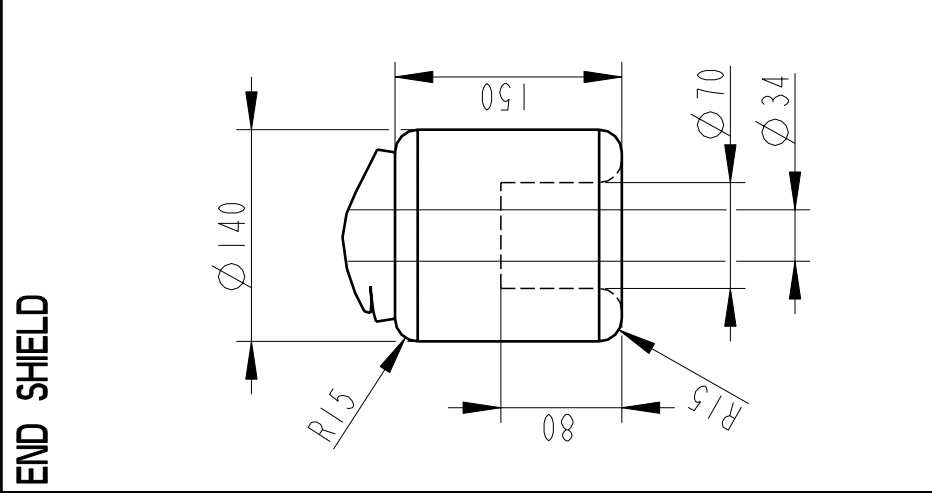


### Bushing Data:

Rated Voltage	170 kV
Phase to Ground Voltage	170 kV
Dry Lightning Impulse 1,2/50 $\mu$ s	750 kV
Wet power frequency AC	325 kV
Routine test Imin dry 50Hz	350 kV
Rated Current	1250 A
Creepage Distance	4800 $\pm$ 150 mm
Creepage Distance Protected	1700 mm
Mass	197 kg



### Ordering Data:

**BUSHING**  
LF123105-M  
-N  
COLOUR AIR INSULATOR  
BROWN  
LIGHT GREY

**OUTER TERMINAL**  
LF 170 002-B  
LF 170 001-B  
OTHER TYPES ON REQUEST  
Cu,  $\phi$ 30, L=125  
Al,  $\phi$ 30, L=125

**INNER TERMINAL FOR STRANDED CABLE**  
For brazing  
LF 170 011-T  
LF 170 011-V  
Conductor area  
up to 285mm<sup>2</sup>  
Undrilled with pilot hole  $\phi$ 5

**SOLID ROD CONNECTOR**  
LF 170 052 -BA for Alt.1  
LF 170 052 -BB for Alt.2

### ABB Components

Ludvika, Sweden

No.	U / S / AC	kV	r	A	50/60 Hz	IV
M	kg	L	mm	V		
C1	pf	Tan $\delta$		r		
C2	pf	Tan $\delta$		r		

Based on	Reg. No.	Title
Prepared	Responsible department	GOB 750-1250-0.3
LÖVNORD	COM/BK	WITH OIL LEVEL GAUGE
Approved	Take over department	LONG END SHIELD
Johansson	Database	
Design engineering review		
Hedlund		
Page	Document No.	2751369-226
I(1)		

We reserve all rights in this document and in the information contained therein. Reproduction, use or disclosure to third parties without express authority is strictly forbidden. ©ABB